

CALG Modular Acoustic Enclosure

50 – 218 kVA



www.FGWilson.com



The compact modular design of the 50 – 218 kVA CALG enclosures ensure optimum performance in the harshest of environments. Designed on modular principles, they have interchangeable components permitting on site repair. Lift off doors and access panels provide optimal service and maintenance access.

Extremely durable and robust, the enclosures are designed to resist corrosion and handling damage with the ability to withstand rough handling common on many construction sites.

Developed through continuing research and development by our specialist engineers, all FG Wilson enclosures are weather resistant and incorporate internally mounted exhaust silencers.

Excellent Access for Maintenance

- » Side hinged doors on both sides of the enclosure opening to 180°
- » Side hinged doors lift off at 90°
- » Removable front and rear access panels
- » Lube oil and coolant drain valves

Robust/Highly Corrosion Resistant Construction

- » Galvanised steel protected by powder coat paint (CALG)
- » Black finish stainless steel locks and hinges
- » Zinc plated / stainless steel fasteners



Transportability

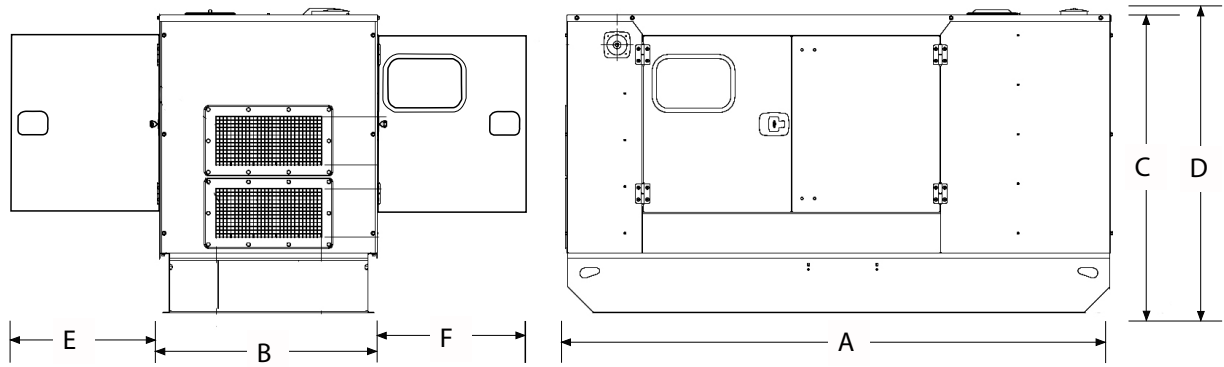
- » Lifting points on base frame facilitating handling from both sides

Security and Safety

- » Control panel viewing window in a lockable access door
- » Emergency stop push button (red) mounted on enclosure exterior
- » Cooling fan and battery charging alternator fully guarded
- » Fuel fill and battery can only be reached via lockable access doors
- » Exhaust silencing system totally enclosed for operator safety

Sound Pressure Levels (dBA) for CALG Enclosure

Generator Set Model		50 Hz						60 Hz							
		15 m (50 ft)		7 m (23 ft)		1 m (3 ft)		15 m (50 ft)		7 m (23 ft)		1.5 m (4.9 ft)		1 m (3 ft)	
		75% Load	100% Load	75% Load	100% Load	75% Load	100% Load	75% Load	100% Load	75% Load	100% Load	75% Load	100% Load	75% Load	100% Load
P56-1	Prime	56.1	57.0	62.1	63.0	72.6	73.4	59.5	61.2	65.5	67.2	73.3	74.6	75.8	77.1
	Standby	56.4	57.5	62.4	63.5	72.8	73.9	60.1	62.1	66.1	68.1	73.7	75.4	76.2	77.9
P75-1	Prime	57.0	58.7	63.0	64.7	73.4	75.1	61.4	64.2	67.4	70.2	74.8	77.2	77.3	79.7
	Standby	57.3	59.4	63.3	65.4	73.8	75.8	62.1	65.4	68.1	71.4	75.4	78.3	77.9	80.8
P100-1	Prime	59.2	61.0	65.2	67.0	77.2	79.0	60.6	62.5	66.6	68.5	75.8	77.5	77.2	79.0
	Standby	59.7	61.8	65.7	67.8	77.7	79.8	61.1	63.4	67.1	69.4	76.3	78.2	77.7	79.8
P125-1	Prime	65.3	66.0	71.3	72.0	81.0	81.8	65.7	66.7	71.7	72.7	78.6	79.3	80.7	81.4
	Standby	65.5	66.3	71.5	72.3	81.2	82.2	66.0	67.2	72.0	73.2	78.8	79.6	80.9	81.7
P169-1	Prime	59.5	60.5	65.5	66.5	78.4	78.9	61.3	61.5	67.3	67.5	-	-	81	81.2
	Standby	59.8	60.9	65.8	66.9	78.5	79.2	61.4	61.6	67.4	67.6	-	-	81.1	81.2
P218-3	Prime	66.0	66.2	72.0	72.2	82.7	82.9	68.4	68.5	74.4	74.5	81.8	82.1	84.1	84.5
	Standby	66.0	66.4	72.0	72.4	82.8	83.1	68.5	68.6	74.5	74.6	81.9	82.3	84.2	84.7



Dimensions and Weights for CALG Enclosure

Generator Set Model	A: mm (in)	B: mm (in)	C: mm (in)	D: mm (in)	E*: mm (in)	F*: mm (in)	Weight: kg (lb)	Fuel Capacity: l (US gal)
P56-1	2291 (90.2)	1026 (40.4)	1433 (56.4)	1433 (56.4)	1000 (39.4)	1000 (39.4)	1041 (2295.0)	145 (38.3)
P75-1	2291 (90.2)	1026 (40.4)	1433 (56.4)	1433 (56.4)	1000 (39.4)	1000 (39.4)	1049 (2312.6)	145 (38.3)
P100-1	2290 (90.2)	1125 (44.3)	1533 (60.4)	1533 (60.4)	1000 (39.4)	1000 (39.4)	1232 (2716.1)	188 (49.7)
P125-1	2759 (108.6)	1125 (44.3)	1537 (60.5)	1537 (60.5)	1000 (39.4)	1000 (39.4)	1350 (2976.2)	212 (56.0)
P169-1	3514 (138.3)	1126 (44.3)	1681 (66.2)	1681 (66.2)	1015 (40.0)	1015 (40.0)	1833 (4041.1)	289 (76.3)
P218-3	3503 (137.9)	1326 (52.2)	1683 (66.3)	1683 (66.3)	1015 (40.0)	1015 (40.0)	2073 (4570.2)	384 (101.4)

*Clearance required both sides; Weight with lube oil, no coolant, no fuel.

FG Wilson manufactures product in the following locations:

Northern Ireland • Brazil • China • India • USA

With headquarters in Northern Ireland, FG Wilson operates through a Global Dealer Network. To contact your local Sales Office please visit the FG Wilson website at www.FGWilson.com.

FG Wilson is a trading name of Caterpillar (NI) Limited.

In line with our policy of continuous product development, we reserve the right to change specification without notice.

50-218kVAEnclosure/1215/GB
